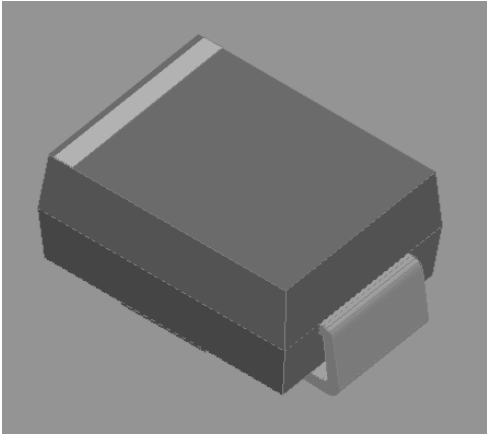


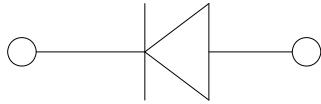


6XUIDFH 0RXQW 6FKRWWN\ 5HFWLIL



)HDWXUHV
 " *XDUG ULQJ IRU RYHUYROWDJH SURWHFWLR
 " /RZ SRZHU ORVVHV
 " ([WUHPHO\ IDVW VZLWFKLQJ
 " +LJK IRUZDUG VXUJH FDSDELOLW\
 " +LJK IUHTXHQF\ RSHUDWLRQ
 " 0HHWV 06/ OHYHO SHU - 67' /) PD[LPIX
 RI f&
 " 3DUW QR ZLWPHVXQVL\$(% 4 TXDOLILHG

7\SLFDO \$\$\$OLFDFWLRQV
)RU XVH LQ ORZ YROWDJH KLJK IUHTXHQF\ L
 IUHHZKHHOLQJ '&U'& FRXQVFRURWHL YH DQG SR
 SURWHFWLRQ DSSOLFDFWLRQV



0HFKDQLFDO 'DWD
 " 3DFNDJH2 \$\$ 60%
 0ROGLQJ FRPSRQ/QG PHHODPPDELOLW\
 UDWLQJ 5R+6 FRPSOLDQW KDORJHQ IUHH
 " 7HUPLQDQVSODWHG OHDGV VROGHUDEOH S
 - 67' DQG -(6' %
 " 3RODLDWKRGRH OLQWKGHQRWKRGRH HQG

v



66 %4 7+58 66 %4

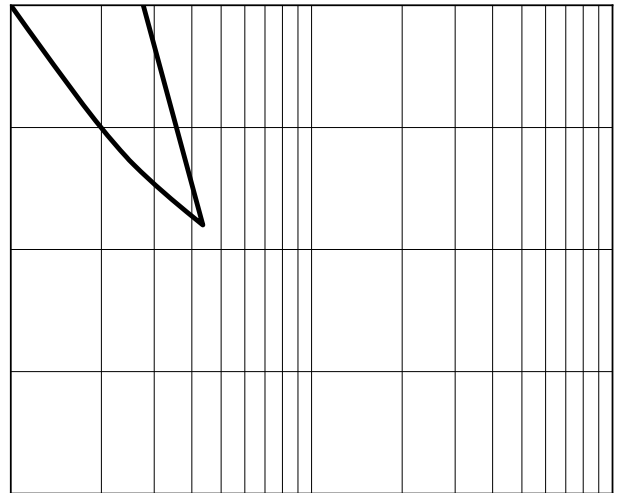
v7KHUPDO &KDUDFVHVLVWDQWR R DUFRLHXVH VSHFLILHG

3\$5\$0(7(5	6<0%2/	81,7	66 %4	66 %4
7KHUPDO 5HVLVWDQWR	5 . s	- :		
	5 . /			

1RWH

7KHUPDO UHVLVWDQWR DUFRLHXVH VSHFLILHG 3 & % ZLWK FRS[SHU SDPDPH

v &KDUDFVHVLVWDQWR



v2UGHULQJ , QIRUPPSVLRQ

35()(5(' 3 1	3\$&.,1* &2'('	81,7 :(*+7 J	0,1,080 3\$&.\$*(SFV	287(5 &\$5721 48\$17,7< SFV	'(/,9(5< 02'('
66 %4 66 %4)	\$SSUR[LPDWH			

